

860HPC choke valve

The 860HPC is an erosion resistant, control valve ideally suited for use in critical service choke applications. It is designed to address durability, safety and performance into a robust and proven solution.

Key features & benefits

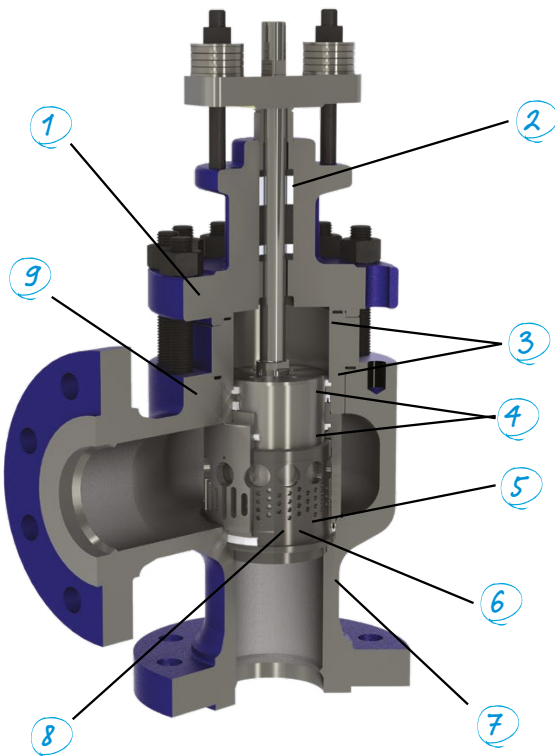
Designed for applications with up to 200 bar pressure differential, wear resistance is optimised with tungsten carbide inner cage and plug. Higher flexibility can be obtained by two different trim sets available to match a high range of operating conditions. A drilled hole cage with reduced Cv is available for start up and for initial life conditions. To accommodate large flow rates and lower pressure drops encountered during end of life conditions, a slotted cage with increased capacity is used.

Critical service choke applications usually encounter issues such as high noise, improper velocity control, incompatibility in multi-phase flow streams and corrosion. The 860HPC is designed to address these concerns.

- > Available with different sets of materials, suitable for different grades of chemical corrosion
- > Optimised drilled hole pattern for low noise performance
- > Singleton sizing for multiphase flow stream Cv calculation
- > Optimised flow paths for velocity control



Product breakdown



	Feature	Benefit
1	Bolted bonnet design	Reliable tight sealing and retention of the trim
2	External Packing	Inspection and adjustment without removing the actuator
3	Gasketed body to bonnet	Reliable sealing for temperature extremes
4	Balance seal wiper rings	Protects the balancing seal from abrasion
5	Integral seat and cage	Fewer parts to manage
6	Tungsten Carbide plug, seat and cage	Minimise wear from sand carryover
7	Valve outlet liner	Prevents body erosion
8	Noise attenuating, balanced trim	Linear or Modified Equal Percentage
9	Quick change trim	No threaded body parts, no special tooling

Technical specification

Pressure rating

ANSI 600, 1500, 2500
API 5000

End connections

RTJ or Hub

Body / bonnet / bonnet spacer

A216-WCB / A105 standard
Application specific options available

Bolting

A193-B7M / A194-GR 2HM standard
Application specific options available

Temperature range

-50 C / 343 C

Quality specification

ASME B16.34, API PSL1, PSL2, PSL3, API
PR1, PR2

Sizing method

Single phase per ISA S75.01, multiphase
per E. W. Singleton

Trim type / characteristic

Cage choke / linear or modified equal
percentage

Flow direction / shut-off

Flow-to-close / Class IV or V shut-off

Body type

Angle casting

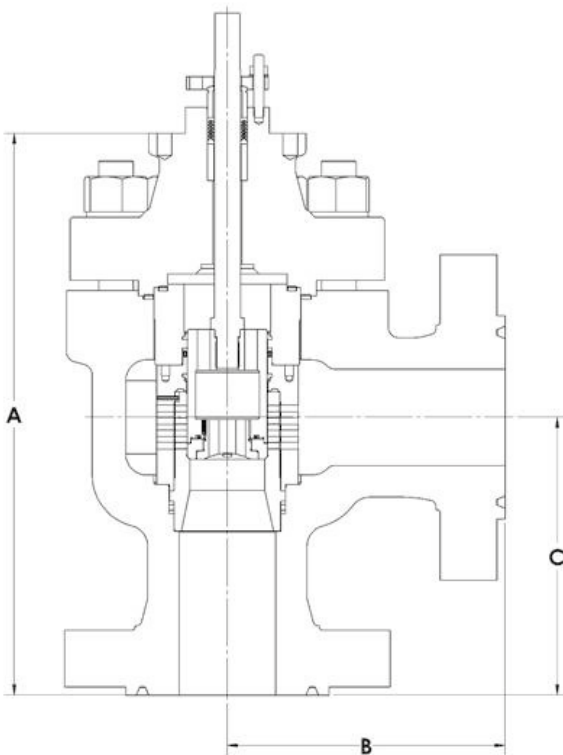
Actuators - IMI CCI

Diaphragm, pneumatic piston, or manual
override

Actuators

Electric, hydraulic modulating, pneumatic /
hydraulic stepper motors

Product dimensions



	Body Size (in)	A (mm)	B (mm)	C (mm)
1500#	2	433	200	200
	3	481	230	230
	4	536	265	265
	6	791	384	384
	8	839	438.2	425.5
2500#	3	680	300	300
	4	762	370	370
	6	871	442	442
	8	970	550	550

Dimensions and Cv

ASME valve size	2 x 2 1500 3 x 3 2500	3 x 3 1500 4 x 4 2500	3 x 3 1500 4 x 4 2500	3 x 3 600 4 x 4 1500	4 x 4 600 6 x 6 2500	6 x 6 1500 8 x 8 2500	6 x 6 600 8 x 8 1500
API valve size	2-1/16 5K	3-1/8 5K	3-1/8 5K	4-1/16 5K	5-1/8 5K	7-1/16 5K	7-1/16 5K
Plug Size	1	1.75	2.5	3.25	4	5	6
Stroke	20mm	30mm	40mm	50mm	60mm	70mm	80mm
Cv, ported cage	11 - 15	38 - 52	81 - 108	130 - 174	196 - 262	318 - 424	459 - 612